

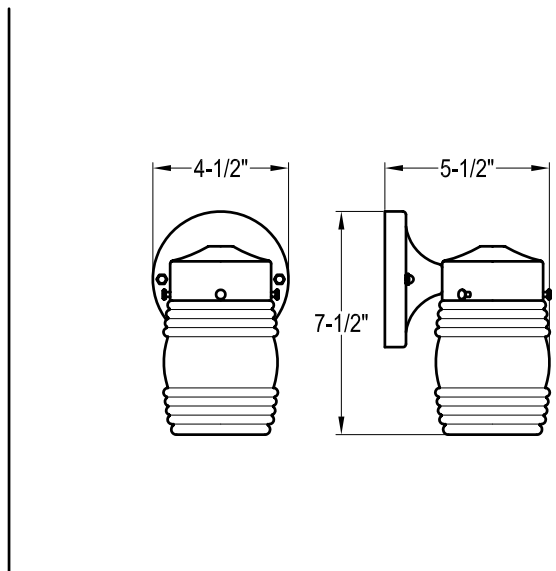


Fixture specification

MODEL # : **FSJ**

STYLE / LAMP / LAMP / WATTAGE / KELVIN / BALLAST / FINISH / LENS / ACCESSORIES / SIZE / COMPLIANCE
QTY TYPE DETAIL

PROJECT : _____ TYPE : _____ NOTE : _____



Light Source

Type	GU24 Spiral
Wattage	13 18
Quantity	1 1

Standard Features

BASE	Steel Construction Mounts to Electric Box with Two Acorn Nuts	FINISH	Old Bronze	LENS	Frosted Glass
LAMP	GU24 Spiral - 2700K	TECHNOLOGY	Electronic Ballast Normal Power Factor 120V-60Hz AC UL Listed Damp Location		

Special options

Please Note: Standard Features May Change if Fixtures are Ordered with Special Option(s).

KELVIN	<input type="checkbox"/> 3500K <input type="checkbox"/> 4100K	COMPLIANCE	<input type="checkbox"/> ES Energy Star	FINISH	<input type="checkbox"/> FAB Antique Brass <input type="checkbox"/> FBN Brushed Nickel <input type="checkbox"/> FW White	TECHNOLOGY	<input type="checkbox"/> LED		<input type="checkbox"/> MIA Made In America
---------------	--	-------------------	---	---------------	--	-------------------	------------------------------	--	--

For Additional Accessories and Options Visit www.aslighting.com

ASL
25 Twelfth Street
Brooklyn, NY 11215-3820

Toll Free
Phone: 800-369-1101
Fax: 800-552-3465

Local
Phone: 718-369-1100
Fax: 718-369-1105

Online
email: info@aslighting.com
visit: www.aslighting.com



FSJ

© copyright 2008 by American Scientific Lighting Corp. All rights reserved.