

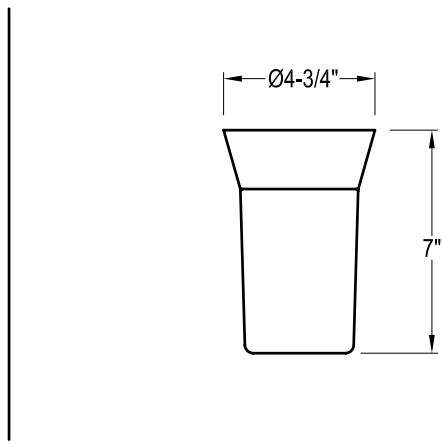


Fixture Specification

MODEL #: **FJC**

STYLE / LAMP / LAMP / WATTAGE / KELVIN / BALLAST / FINISH / LENS / ACCESSORIES / SIZE / COMPLIANCE
QTY TYPE TYPE DETAIL

PROJECT : _____ TYPE : _____ NOTE : _____



Light Source

Type	Spiral		
Wattage	13	18	26
Quantity	1	1	1

Standard Features

BASE | Cast Aluminum
Mounts to Electric Box by Pre-Punched Keyhole Slots

FINISH | Brushed Satin Aluminum

LENS | Smooth White Polycarbonate
UV Stabilized
Non Yellowing
Threaded Neck Screws into Housing

LAMP | Spiral/ GU24 - 2700K

ELECTRICAL | Electronic Ballast
Normal Power Factor
120V-60Hz AC
UL Listed
Wet Location

Special options

Please Note: Standard Features May Change if Fixtures are Ordered with Special Option(s).

BALLAST | DV 120/277
 HPF High Power Factor
 V 277 Volt

FINISH | FB Black
 FBZ Bronzetone

LENS | CPP Clear Prismatic Polycarbonate

KELVIN | 3500K
 4100K

TECHNOLOGY | LED

COMPLIANCE | ES Energy Star

MIA Made In America

For Additional Accessories and Options Visit www.aslighting.com

ASL
25 Twelfth Street
Brooklyn, NY 11215-3820

Toll Free
Phone: 800-369-1101
Fax: 800-552-3465

Local
Phone: 718-369-1100
Fax: 718-369-1105

Online
email: info@aslighting.com
visit: www.aslighting.com



© copyright 2008 by American Scientific Lighting Corp. All rights reserved.

FJC