

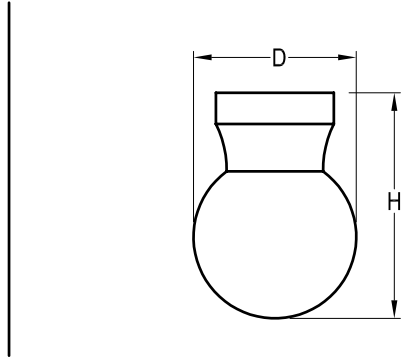


Fixture Specification

MODEL #: **FEGT**

STYLE / LAMP / LAMP / WATTAGE / KELVIN / BALLAST / FINISH / LENS / ACCESSORIES / SIZE / COMPLIANCE
QTY TYPE TYPE DETAIL

PROJECT : _____ TYPE : _____ NOTE : _____



Light Source

Type	Quad, Spiral or Triple				Triple	Diameter	Height
Wattage	13	18	26	32		6"	8-1/2"
Quantity	1	-	-	-		7-1/2'	10-1/8"
	-	1	1	1			

Standard Features

BASE	Injection Molded Polycarbonate Mounts to Electric Box by Pre-Punched Keyhole Slots	FINISH	Specular Black	LENS	Smooth White Polycarbonate 6" High Impact Acrylic 7-1/2" UV Stabilized Non Yellowing Threaded Neck Screws into Housing
LAMP	Twin, Quad, Spiral, and Triple - 2700K	ELECTRICAL	Electronic Ballast Normal Power Factor 120V-60Hz AC UL Listed Wet Location		

Special options

Please Note: Standard Features May Change if Fixtures are Ordered with Special Option(s).

BALLAST	<input type="checkbox"/> DV 120/277 <input type="checkbox"/> HPF High Power Factor <input type="checkbox"/> V 277 Volt	FINISH	<input type="checkbox"/> FW White	LENS	<input type="checkbox"/> CPA Clear Prismatic Acrylic
KELVIN	<input type="checkbox"/> 3500K <input type="checkbox"/> 4100K	TECHNOLOGY	<input type="checkbox"/> GU24 (Energy Star Compliant Component) <input type="checkbox"/> LED	ACCESSORIES	<input type="checkbox"/> IPC Internal Photocell
		COMPLIANCE	<input type="checkbox"/> ES Energy Star	<input type="checkbox"/> MIA Made In America	

For Additional Accessories and Options Visit www.aslighting.com

ASL
25 Twelfth Street
Brooklyn, NY 11215-3820

Toll Free
Phone: 800-369-1101
Fax: 800-552-3465

Local
Phone: 718-369-1100
Fax: 718-369-1105

Online
email: info@aslighting.com
visit: www.aslighting.com



FEGT

© copyright 2008 by American Scientific Lighting Corp. All rights reserved.