

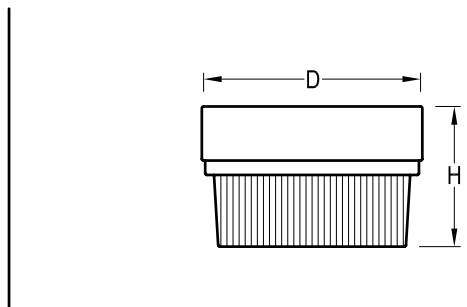


Fixture Specification

MODEL #: **INR**
 STYLE / LAMP / LAMP / WATTAGE / KELVIN / BALLAST / FINISH / LENS / ACCESSORIES / SIZE / COMPLIANCE
 QTY TYPE DETAIL



PROJECT : _____ TYPE : _____ NOTE : _____



Light Source

Type	Twin Tube		Quad, Spiral or Triple			Triple		High Pressure Sodium					Metal Halide			Diameter	Height
Wattage	9	13	13	18	26	32	42	35	50	70	100	150	50	70	100	11-1/2"	7-3/8"
Quantity	2	1/2	2	1/2	1	1	-	1	1	1	-	-	1	1	-	15"	8"
	2	2/3	2/3	1/2	1/2	1/2	1/2	-	-	-	1	1	-	-	1		

Standard Features

BASE	Heavy Duty CR Steel Construction 16 Gauge CR Steel White Reflector Mounts to Electric Box with Center Nipple Additional Pre-Punched Holes Provided for Secure Anncoring to Structure	FINISH	Bronzetone	LENS	Clear Prismatic Polycarbonate UV Stabilized Non Yellowing Secured by One Integral Locking Lug and Stainless Steel, Temper Proof Screw(s) Drill Point Available for Maximum Security Installation
LAMP	Twin, Quad, Spiral, and Triple - 2700K	ELECTRICAL	Fluorescent - Electronic Ballast Normal Power Factor 120V-60Hz AC HID - Magnetic Ballast HPS/NPF/120V MH/HPF/120-208-240-277V UL Listed Wet Location		

Special options

Please Note: Standard Features May Change if Fixtures are Ordered with Special Option(s).

BALLAST	<input type="checkbox"/> DV 120/277 <input type="checkbox"/> EBD Dimmable <input type="checkbox"/> EMG Emergency <input type="checkbox"/> HPF High Power Factor <input type="checkbox"/> V 277 Volt	FINISH	<input type="checkbox"/> FC Chrome <input type="checkbox"/> FW White	ACCESSORIES	<input type="checkbox"/> IPC Internal Photocell <input type="checkbox"/> EPC External Photocell
KELVIN	<input type="checkbox"/> 3500K <input type="checkbox"/> 4100K	TECHNOLOGY	<input type="checkbox"/> GU24 (Energy Star Compliant Component) <input type="checkbox"/> LED <input type="checkbox"/> Occupancy Sensor	COMPLIANCE	<input type="checkbox"/> ES Energy Star <input type="checkbox"/> MIA Made In America

For Additional Accessories and Options Visit www.aslighting.com

ASL
25 Twelfth Street
Brooklyn, NY 11215-3820

Toll Free
Phone: 800-369-1101
Fax: 800-552-3465

Local
Phone: 718-369-1100
Fax: 718-369-1105

Online
email: info@aslighting.com
visit: www.aslighting.com



© copyright 2008 by American Scientific Lighting Corp. All rights reserved.

INR