



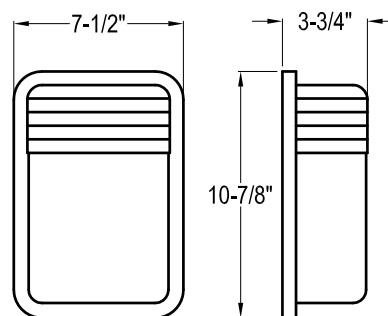
# Fixture specification

MODEL # : **CRA**

STYLE / WATTAGE / KELVIN / FINISH / LENS / ACCESSORIES / SIZE / COMPLIANCE



PROJECT : \_\_\_\_\_ TYPE : \_\_\_\_\_ NOTE : \_\_\_\_\_



**FIXTURE FEATURES**

- EACH FIXTURE THERMALLY TESTED TO INSURE LONGEVITY
- MAXIMUM LIGHT DISTRIBUTION THROUGHOUT LENS
- OVER CURRENT, OVER VOLTAGE, SHORT CIRCUIT PROTECTION

BASE: POLYCARBONATE  
MOUNTS OVER ELECTRICAL BOX

FINISH: BLACK  
LENS: OPAL POLYCARBONATE  
UV STABILIZED  
NON-YELLOWING

POWER FACTOR: HIGH  
INPUT VOLTAGE: 120V/50/60Hz  
COMPLIANCE: UL AND/OR CSA LISTED  
KELVIN: 3000  
CRI: 80  
MADE IN AMERICA  
WET LOCATION

**LED LIGHT SOURCE**

- LG / NICHIA BRAND LED CHIPS
- CONSTANT CURRENT DESIGN  
AVERAGE 100 - 120LPM  
( LUMEN PER WATT )  
AT MODULE EFFICACY

- TRIAC OR ELECTRONIC LOW VOLTAGE DIMMING DOWN TO 5% WITH WALL BOX DIMMERS
- DRIVER: UL LISTED
- MODULE: CSA LISTED

- LM80 & LM82 TESTED
- ROHS COMPLIANT
- LIFE HOURS: 50,000
- WARRANTY: LIMITED 5 YEARS

SYSTEM WATTAGE	LED ENGINE LUMENS					LEGACY 30K SUBSTITUTE
	2700K	3000K	3500K	4000K	5000K	
16		1150		1200		CFL 2 x 13

**SPECIAL OPTIONS**

- DRIVER**
- DV 120 / 277 (NON DIMMABLE)
  - DVD 120 / 277 (0-10V DIMMABLE)
  - EMG EMERGENCY
  - EMGR EMERGENCY REMOTE

- FINISH**
- FCU CUSTOM (ANY FINISH AVAILABLE)

- COMPLIANCE**
- ES ENERGY STAR (WHEN SPECIFIED)

- KELVIN**
- 2700K
  - 3500K
  - 4000K

- ACCESSORIES**
- FUS FUSE
  - IB INDIVIDUAL BOX
  - IPC INTERNAL PHOTOCELL
  - OC OCCUPANCY SENSOR
  - TP TAMPER SCREWS

For Additional Accessories and Options Visit [www.aslighting.com](http://www.aslighting.com)

ASL  
25 Twelfth Street  
Brooklyn, NY 11215-3820

Toll Free  
Phone: 800-369-1101  
Fax: 800-552-3465



Local  
Phone: 718-369-1100  
Fax: 718-369-1105

Online  
email: [info@aslighting.com](mailto:info@aslighting.com)  
visit: [www.aslighting.com](http://www.aslighting.com)

**CRA**