



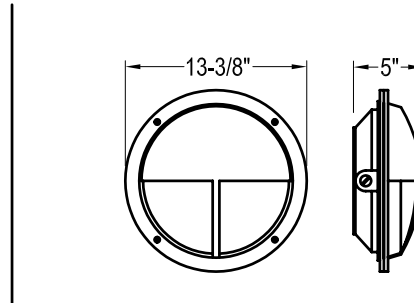
# Fixture specification

MODEL #: **CPR**

STYLE / LAMP / LAMP / WATTAGE / KELVIN / BALLAST / FINISH / LENS / ACCESSORIES / SIZE / COMPLIANCE  
QTY TYPE DETAIL



PROJECT: \_\_\_\_\_ TYPE: \_\_\_\_\_ NOTE: \_\_\_\_\_



## Light Source

Type	Twin Tube		Quad			Triple	
Wattage	9	13	13	18	26	32	42
Quantity	-	2	-	2	1/2	1/2	1/2

## Standard Features

<b>BASE</b>	Die Cast Aluminum Three 1/2" NPT Plugged Outlets for Conduit and/or Photo Cell Mounts to Electric Box with Center Nipple Additional Four Drill Points are Provided for Secure Anchoring to Structure	<b>FINISH</b>	Textured Black	<b>LENS</b>	Milky White Polycarbonate UV Stabilized Non Yellowing Secured by Four Stainless Steel Screws
<b>LAMP</b>	Twin, Quad, and Triple - 2700K	<b>ELECTRICAL</b>	Electronic Ballast Normal Power Factor 120V-60Hz AC UL Listed Wet Location		

## Special options

Please Note: Standard Features May Change if Fixtures are Ordered with Special Option(s).

<b>BALLAST</b>	<input type="checkbox"/> DV 120/277 <input type="checkbox"/> EBD Dimmable <input type="checkbox"/> EMG Emergency <input type="checkbox"/> HPF High Power Factor <input type="checkbox"/> V 277 Volt	<b>FINISH</b>	<input type="checkbox"/> FCU Custom White <input type="checkbox"/> FW White	<b>ACCESSORIES</b>	<input type="checkbox"/> EPC External Photocell
<b>KELVIN</b>	<input type="checkbox"/> 3500K <input type="checkbox"/> 4100K	<b>TECHNOLOGY</b>	<input type="checkbox"/> GU24 ( Energy Star Compliant Component ) <input type="checkbox"/> LED	<b>COMPLIANCE</b>	<input type="checkbox"/> ES Energy Star <input type="checkbox"/> MIA Made In America

For Additional Accessories and Options Visit [www.aslighting.com](http://www.aslighting.com)

ASL  
25 Twelfth Street  
Brooklyn, NY 11215-3820

Toll Free  
Phone: 800-369-1101  
Fax: 800-552-3465

Local  
Phone: 718-369-1100  
Fax: 718-369-1105

Online  
email: [info@aslighting.com](mailto:info@aslighting.com)  
visit: [www.aslighting.com](http://www.aslighting.com)



© copyright 2008 by American Scientific Lighting Corp. All rights reserved.

**CPR**