

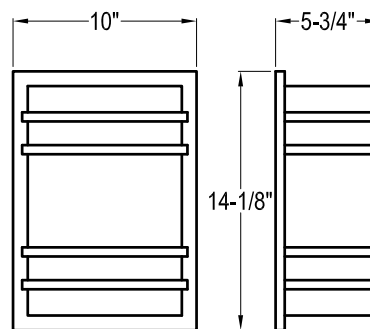


Fixture Specification

MODEL #: **CKM**

STYLE / LAMP / LAMP / WATTAGE / KELVIN / BALLAST / FINISH / LENS / ACCESSORIES / SIZE / COMPLIANCE
 QTY TYPE DETAIL

PROJECT : _____ TYPE : _____ NOTE : _____



Light Source


Type	Twin Tube		Quad, Spiral or Triple		
Wattage	9	13	13	18	26
Quantity	1/2	1/2	1/2	1	1

Standard Features

BASE	Steel Construction Mounts to Electric Box with Center Nipple	FINISH	Stainless Steel	LENS	Frosted Glass
LAMP	Twin, Quad, Spiral, and Triple - 2700K	TECHNOLOGY	Electronic Ballast Normal Power Factor 120V-60Hz AC UL Listed Wet Location		

Special options

Please Note: Standard Features May Change if Fixtures are Ordered with Special Option(s).

BALLAST	<input type="checkbox"/> DV 120/277 <input type="checkbox"/> EBD Dimmable <input type="checkbox"/> EMG Emergency <input type="checkbox"/> HPF High Power Factor <input type="checkbox"/> V 277 Volt	FINISH	<input type="checkbox"/> FB Black <input type="checkbox"/> FCU Custom (Any Finishe Available)	TECHNOLOGY	<input type="checkbox"/> GU24 (Energy Star Compliant Component) <input type="checkbox"/> LED <input type="checkbox"/> Occupancy Sensor
KELVIN	<input type="checkbox"/> 3500K <input type="checkbox"/> 4100K		<input type="checkbox"/> MIA Made In America	COMPLIANCE	<input type="checkbox"/> ES Energy Star

For Additional Accessories and Options Visit www.aslighting.com

ASL
25 Twelfth Street
Brooklyn, NY 11215-3820

Toll Free
Phone: 800-369-1101
Fax: 800-552-3465

Local
Phone: 718-369-1100
Fax: 718-369-1105

Online
email: info@aslighting.com
visit: www.aslighting.com



© copyright 2008 by American Scientific Lighting Corp. All rights reserved.

CKM