

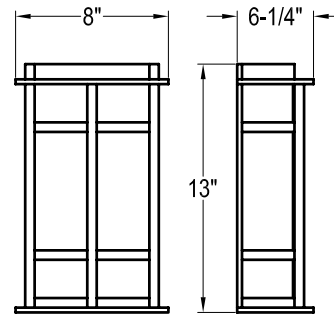


Fixture Specification

MODEL #: **BSV**

STYLE / LAMP / LAMP / WATTAGE / KELVIN / BALLAST / FINISH / LENS / ACCESSORIES / SIZE / COMPLIANCE
QTY TYPE TYPE DETAIL

PROJECT : _____ TYPE : _____ NOTE : _____



Light Source

Type	LED			Twin Tube		Quad, Spiral or Triple		Triple		
Wattage	8	11	14	9	13	13	18	26	32	42
Quantity	1/2	1/2	1/2	2	1/2	-	1/2	1/2	1	-

Standard Features

BASE	Steel Construction Mounts to Electric Box with Holes and Knockouts Provided	FINISH	Oil Bronze	LENS	Frosted Milk Glass
LAMP/ CFL	Twin, Quad, Spiral, and Triple - 2700K	LED	8W (24 LEDs) - 700 Lumen (Equal to CFL13) 11W (32 LEDs) - 930 Lumen (Equal to CFL18) 14W (48 LEDs) - 1400 Lumen (Equal to CFL26) Kelvin Temperature: 3000K Life Hours: 50,000		
ELECTRICAL/ CFL	Electronic Ballast Normal Power Factor 120V-60Hz AC	ELECTRICAL/ LED	Electronic Driver 90-264V, 47-63Hz AC	LISTING & RATING	UL Listed Wet Location

Special options

Please Note: Standard Features May Change if Fixtures are Ordered with Special Option(s).

BALLAST	<input type="checkbox"/> DV 120/277 <input type="checkbox"/> EBD Dimmable <input type="checkbox"/> EMG Emergency <input type="checkbox"/> HPF High Power Factor <input type="checkbox"/> V 277 Volt	FINISH	<input type="checkbox"/> FSN Satin Nickel	TECHNOLOGY	<input type="checkbox"/> GU24 (Energy Star Compliant Component)
KELVIN	<input type="checkbox"/> 3500K <input type="checkbox"/> 4100K	<input type="checkbox"/> MIA Made In America	COMPLIANCE	<input type="checkbox"/> ES Energy Star	

For Additional Accessories and Options Visit www.aslighting.com

ASL
25 Twelfth Street
Brooklyn, NY 11215-3820

Toll Free
Phone: 800-369-1101
Fax: 800-552-3465

Local
Phone: 718-369-1100
Fax: 718-369-1105

Online
email: info@aslighting.com
visit: www.aslighting.com



© copyright 2008 by American Scientific Lighting Corp. All rights reserved.

BSV