

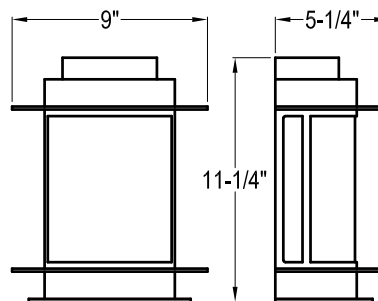


Fixture specification

MODEL #: **BCP**

STYLE / LAMP / LAMP / WATTAGE / KELVIN / BALLAST / FINISH / LENS / ACCESSORIES / SIZE / COMPLIANCE
QTY TYPE TYPE DETAIL

PROJECT : _____ TYPE : _____ NOTE : _____



FIXTURE FEATURES

- EACH FIXTURE THERMALLY TESTED TO INSURE LONGEVITY
- MAXIMUM LIGHT DISTRIBUTION THROUGHOUT LENS
- OVER CURRENT, OVER VOLTAGE, SHORT CIRCUIT PROTECTION

BASE: ALUMINUM CONSTRUCTION
MOUNTS OVER ELECTRICAL BOX

FINISH: STAINLESS STEEL
LENS: FROSTED GLASS
UV STABILIZED
NON-YELLOWING

POWER FACTOR: HIGH
INPUT VOLTAGE: 120V/50/60Hz
COMPLIANCE: UL AND/OR CSA LISTED
KELVIN: 3000
CRI: 80
MADE IN AMERICA
WET LOCATION

LED LIGHT SOURCE

- LG / NICHIA BRAND LED CHIPS
- CONSTANT CURRENT DESIGN
AVERAGE 100 - 120LPM
(LUMEN PER WATT)
AT MODULE EFFICACY

- TRIAC OR ELECTRONIC LOW VOLTAGE DIMMING DOWN TO 5% WITH WALL BOX DIMMERS
- DRIVER: UL LISTED
- MODULE: CSA LISTED

- LM80 & LM82 TESTED
- ROHS COMPLIANT
- LIFE HOURS: 50,000
- WARRANTY: LIMITED 5 YEARS

SYSTEM WATTAGE	LED ENGINE LUMENS					LEGACY 30K SUBSTITUTE
	2700K	3000K	3500K	4000K	5000K	
10 / 12 DRIVERLESS		1000 / 800		1000 / 800		CFL 13
15 DRIVERLESS		1200 / 1500		1200 / 1500		CFL 2 x 13
22 / 25 DRIVERLESS		1800 / 2500		1800 / 2500		CFL 3 x 13
8.8	919	958	986	1005	1044	CFL 13
10	1051	1095	1127	1149	1193	CFL 18
11.3	1099	1145	1179	1202	1248	CFL 2 x 13
12.5	1147	1195	1242	1254	1302	CFL 26

SPECIAL OPTIONS

- DRIVER**
- DV 120 / 277 (NON DIMMABLE)
 - DVD 120 / 277 (0-10V DIMMABLE)
 - EMG EMERGENCY
 - EMGR EMERGENCY REMOTE

KELVIN

- 2700K
- 3500K
- 4000K
- 5000K

COMPLIANCE

- ES ENERGY STAR (WHEN SPECIFIED)

FINISH

- FCU CUSTOM (ANY FINISH AVAILABLE)
- FB BLACK

ACCESSORIES

- FUS FUSE
- IB INDIVIDUAL BOX
- OC OCCUPANCY SENSOR
- SP SURGE PROTECTOR

For Additional Accessories and Options Visit www.aslighting.com

ASL
25 Twelfth Street
Brooklyn, NY 11215-3820

Toll Free
Phone: 800-369-1101
Fax: 800-552-3465



Local
Phone: 718-369-1100
Fax: 718-369-1105

Online
email: info@aslighting.com
visit: www.aslighting.com

