

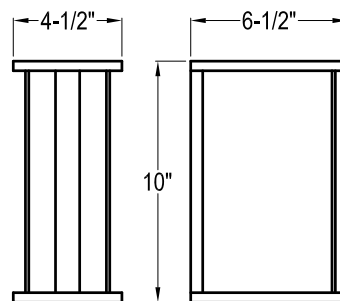


# Fixture Specification

MODEL #: **BCO**

STYLE / LAMP / LAMP / WATTAGE / KELVIN / BALLAST / FINISH / LENS / ACCESSORIES / SIZE / COMPLIANCE  
QTY TYPE TYPE DETAIL

PROJECT : \_\_\_\_\_ TYPE : \_\_\_\_\_ NOTE : \_\_\_\_\_



**FIXTURE FEATURES**

- EACH FIXTURE THERMALLY TESTED TO INSURE LONGEVITY
- MAXIMUM LIGHT DISTRIBUTION THROUGHOUT LENS
- OVER CURRENT, OVER VOLTAGE, SHORT CIRCUIT PROTECTION

BASE: ALUMINUM CONSTRUCTION  
MOUNTS OVER ELECTRICAL BOX

FINISH: STAINLESS STEEL  
LENS: OPAL ACRYLIC  
UV STABILIZED  
NON-YELLOWING

POWER FACTOR: HIGH  
INPUT VOLTAGE: 120V/50/60Hz  
COMPLIANCE: UL AND/OR CSA LISTED  
KELVIN: 3000  
CRI: 80  
MADE IN AMERICA  
WET LOCATION

**LED LIGHT SOURCE**

- LG / NICHIA BRAND LED CHIPS
- CONSTANT CURRENT DESIGN  
AVERAGE 100 - 120LPM  
( LUMEN PER WATT )  
AT MODULE EFFICACY

- TRIAC OR ELECTRONIC LOW VOLTAGE DIMMING DOWN TO 5% WITH WALL BOX DIMMERS
- DRIVER: UL LISTED
- MODULE: CSA LISTED

- LM80 & LM82 TESTED
- ROHS COMPLIANT
- LIFE HOURS: 50,000
- WARRANTY: LIMITED 5 YEARS

SYSTEM WATTAGE	LED ENGINE LUMENS					LEGACY 30K SUBSTITUTE
	2700K	3000K	3500K	4000K	5000K	
10 / 12 DRIVERLESS		1000 / 800		1000 / 800		CFL 13
15 DRIVERLESS		1200 / 1500		1200 / 1500		CFL 2 x 13
22 / 25 DRIVERLESS		1800 / 2500		1800 / 2500		CFL 3 x 13
8.8	919	958	986	1005	1044	CFL 13
10	1051	1095	1127	1149	1193	CFL 18
11.3	1099	1145	1179	1202	1248	CFL 2 x 13
12.5	1147	1195	1242	1254	1302	CFL 26

**SPECIAL OPTIONS**

- DRIVER**
- DV 120 / 277 (NON DIMMABLE)
  - DVD 120 / 277 (0-10V DIMMABLE)
  - EMG EMERGENCY
  - EMGR EMERGENCY REMOTE

**KELVIN**

- 2700K
- 3500K
- 4000K
- 5000K

**COMPLIANCE**

- ES ENERGY STAR (WHEN SPECIFIED)

**FINISH**

- FCU CUSTOM (ANY FINISH AVAILABLE)
- FB BLACK

**ACCESSORIES**

- FUS FUSE
- IB INDIVIDUAL BOX
- OC OCCUPANCY SENSOR
- SP SURGE PROTECTOR

For Additional Accessories and Options Visit [www.aslighting.com](http://www.aslighting.com)

ASL  
25 Twelfth Street  
Brooklyn, NY 11215-3820

Toll Free  
Phone: 800-369-1101  
Fax: 800-552-3465



Local  
Phone: 718-369-1100  
Fax: 718-369-1105

Online  
email: [info@aslighting.com](mailto:info@aslighting.com)  
visit: [www.aslighting.com](http://www.aslighting.com)

**BCO**