

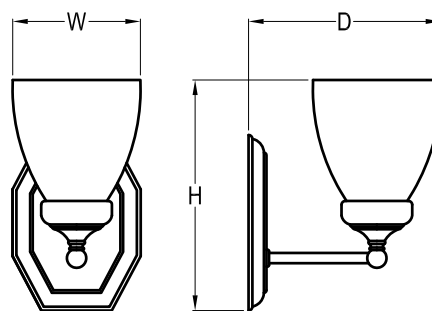


# Fixture Specification

MODEL #: **TLF**

STYLE / LAMP / LAMP / WATTAGE / KELVIN / BALLAST / FINISH / LENS / ACCESSORIES / SIZE / COMPLIANCE  
QTY TYPE DETAIL

PROJECT : \_\_\_\_\_ TYPE : \_\_\_\_\_ NOTE : \_\_\_\_\_



### Light Source

Type	GU24		Width	Height	Depth
Wattage	13	18			
Quantity	1	1	7"	9"	7-1/2"
	2	2	16"	9"	7-1/2"
	3	3	22"	9"	7-1/2"
	4	4	28"	9"	7-1/2"

### Standard Features

<b>BASE</b>	Steel Construction Mounts Over Electrical Box	<b>FINISH</b>	Antique Nickel	<b>LENS</b>	Diffused Glass
<b>LAMP</b>	GU24 Spiral - 2700K	<b>TECHNOLOGY</b>	Electronic Ballast Normal Power Factor 120V-60Hz AC UL Listed Damp Location		

### Special options

Please Note: Standard Features May Change if Fixtures are Ordered with Special Option(s).

<input type="checkbox"/> MIA	Made In America	<b>FINISH</b>	<input type="checkbox"/> FBN Brushed Nickel <input type="checkbox"/> FCU Custom (Any Finishe Available)	<b>KELVIN</b>	<input type="checkbox"/> 3500K <input type="checkbox"/> 4100K
		<b>COMPLIANCE</b>	<input type="checkbox"/> ES Energy Star		

For Additional Accessories and Options Visit [www.aslighting.com](http://www.aslighting.com)

ASL  
25 Twelfth Street  
Brooklyn, NY 11215-3820

Toll Free  
Phone: 800-369-1101  
Fax: 800-552-3465

Local  
Phone: 718-369-1100  
Fax: 718-369-1105

Online  
email: [info@aslighting.com](mailto:info@aslighting.com)  
visit: [www.aslighting.com](http://www.aslighting.com)



© copyright 2008 by American Scientific Lighting Corp. All rights reserved.

**TLF**