

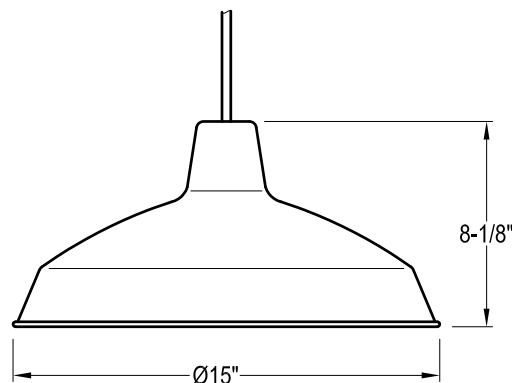


Fixture Specification

MODEL # : **CCW**

STYLE / LAMP / LAMP / WATTAGE / KELVIN / BALLAST / FINISH / LENS / ACCESSORIES / SIZE / COMPLIANCE
 QTY TYPE DETAIL

PROJECT : _____ TYPE : _____ NOTE : _____



FIXTURE FEATURES

- EACH FIXTURE THERMALLY TESTED TO INSURE LONGEVITY
- MAXIMUM LIGHT DISTRIBUTION THROUGHOUT LENS
- OVER CURRENT, OVER VOLTAGE, SHORT CIRCUIT PROTECTION

SHADE: C.R. STEEL
 SUSPENDED BY CORD AND CANOPY
 FINISH: OLD BRONZE

POWER FACTOR: HIGH
 INPUT VOLTAGE: 120V:50/60Hz
 COMPLIANCE: CSA LISTED
 KELVIN: 3000
 CRI: 80
 MADE IN AMERICA
 DAMP LOCATION

LED LIGHT SOURCE

- LG / NICHIA BRAND LED CHIPS
- CONSTANT CURRENT DESIGNN AVERAGE 100 - 120LPM (LUMEN PER WATT) AT MODULE EFFICACY
- TRIAC OR ELECTRONIC LOW VOLTAGE DIMMING DOWN TO 5% WITH WALL BOX DIMMERS
- DRIVER: UL LISTED
- MODULE: CSA LISTED
- LM80 & LM82 TESTED
- ROHS COMPLIANT
- LIFE HOURS: 50,000
- WARRAANTY: LIMITED 5 YEARS

SYSTEM WATTAGE	LED ENGINE LUMENS					LED'S PER MODULE	LEGACY 30K SUBSTITUTE
	2700K	3000K	3500K	4000K	5000K		
10	1062	1095	1160	1171	1193	32	CFL 18
12.5	1159	1195	1266	1278	1302	40	CFL 2 x 13
18.8	1799	1855	1966	1984	2021	56	CFL 2 x 18
20.7	1978	2040	2162	2182	2223	64	CFL 3 x 13
22.3	2158	2225	2358	2380	2425	72	CFL 2 x 26

SPECIAL OPTIONS

- | | | |
|---|--|--|
| <p>DRIVER</p> <p><input type="checkbox"/> DV 120 / 277 (NON DIMMABLE)</p> <p><input type="checkbox"/> DVD 120 / 277 (0-10V DIMMABLE)</p> <p><input type="checkbox"/> EMG EMERGENCY</p> <p><input type="checkbox"/> EMGR EMERGENCY REMOTE</p> | <p>FINISH</p> <p><input type="checkbox"/> FB BLACK</p> <p><input type="checkbox"/> FBN BRUSHED NICKEL</p> <p><input type="checkbox"/> FCU CUSTOM</p> <p><input type="checkbox"/> FW WHITE</p> | <p>KELVIN</p> <p><input type="checkbox"/> 2700K</p> <p><input type="checkbox"/> 3500K</p> <p><input type="checkbox"/> 4000K</p> <p><input type="checkbox"/> 5000K</p> |
|---|--|--|

For Additional Accessories and Options Visit www.aslighting.com

ASL
 25 Twelfth Street
 Brooklyn, NY 11215-3820

Toll Free
 Phone: 800-369-1101
 Fax: 800-552-3465



Local
 Phone: 718-369-1100
 Fax: 718-369-1105

Online
 email: info@aslighting.com
 visit: www.aslighting.com

CCW