

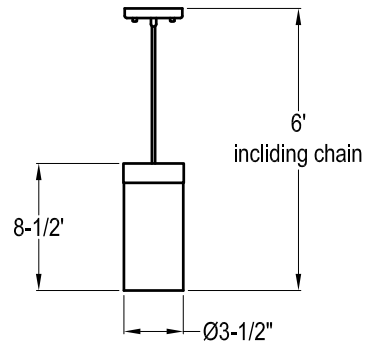


Fixture Specification

MODEL #: **RFBS**

STYLE / LAMP / LAMP / WATTAGE / KELVIN / BALLAST / FINISH / LENS / ACCESSORIES / SIZE / COMPLIANCE
QTY TYPE TYPE DETAIL

PROJECT : _____ TYPE : _____ NOTE : _____



FIXTURE FEATURES

- EACH FIXTURE THERMALLY TESTED TO INSURE LONGEVITY
- MAXIMUM LIGHT DISTRIBUTION THROUGHOUT LENS
- OVER CURRENT, OVER VOLTAGE, SHORT CIRCUIT PROTECTION

BASE: STEEL CONSTRUCTION
MOUNTS TO ELECTRICAL BOX WITH CANOPY AND 3' OR 6' CHAIN
FINISH: SATIN NICKEL
SHADE: OPAL GLASS

POWER FACTOR: HIGH
INPUT VOLTAGE: 120V/50/60Hz
COMPLIANCE: CSA LISTED
KELVIN: 3000
CRI: 80
MADE IN AMERICA
DAMP LOCATION

LED LIGHT SOURCE

- LG / NICHIA BRAND LED CHIPS
- CONSTANT CURRENT DESIGN AVERAGE 100 - 120LPM (LUMEN PER WATT) AT MODULE EFFICACY
- TRIAC OR ELECTRONIC LOW VOLTAGE DIMMING DOWN TO 5% WITH WALL BOX DIMMERS
- DRIVER: UL LISTED
- MODULE: CSA LISTED
- LM80 & LM82 TESTED
- ROHS COMPLIANT
- LIFE HOURS: 50,000
- WARRANTY: LIMITED 5 YEARS

SYSTEM WATTAGE	LED ENGINE LUMENS					LEGACY 30K SUBSTITUTE
	2700K	3000K	3500K	4000K	5000K	
10 DRIVERLESS		820				CFL 13/CFL 18

SPECIAL OPTIONS

- DRIVER**
- DV 120 / 277 (NON DIMMABLE)
 - DVD 120 / 277 (0-10V DIMMABLE)
 - EMG EMERGENCY
 - EMGR EMERGENCY REMOTE

- FINISH**
- FCU CUSTOM (ANY FINISH AVAILABLE)

- COMPLIANCE**
- ES ENERGY STAR (WHEN SPECIFIED)

- KELVIN**
- 2700K
 - 3500K
 - 4000K
 - 5000K

- ACCESSORIES**
- FUS FUSE
 - IB INDIVIDUAL BOX
 - SP SURGE PROTECTOR

For Additional Accessories and Options Visit www.aslighting.com

ASL
25 Twelfth Street
Brooklyn, NY 11215-3820

Toll Free
Phone: 800-369-1101
Fax: 800-552-3465



Local
Phone: 718-369-1100
Fax: 718-369-1105

Online
email: info@aslighting.com
visit: www.aslighting.com

© copyright 2008 by American Scientific Lighting Corp. All rights reserved.

RFBS