

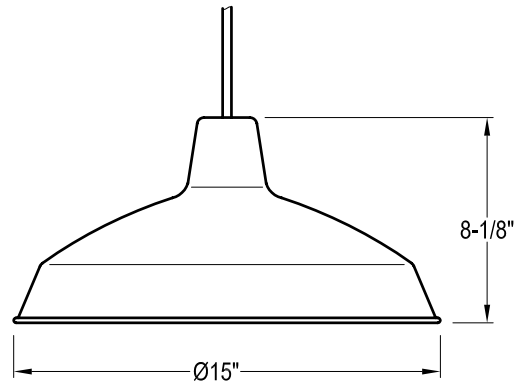


# Fixture Specification

MODEL # : **CCW**

STYLE / LAMP / LAMP / WATTAGE / KELVIN / BALLAST / FINISH / LENS / ACCESSORIES / SIZE / COMPLIANCE  
QTY TYPE DETAIL

PROJECT : \_\_\_\_\_ TYPE : \_\_\_\_\_ NOTE : \_\_\_\_\_



## Light Source

Type	Quad, Spiral or Triple		
Wattage	13	18	26
Quantity	1	1	1

## Standard Features

FEATURE	Metal Shade Suspended by Cord and Canopy	FINISH	Old Bronze
LAMP	Spiral, Quad, and Triple - 2700K	TECHNOLOGY	Electronic Ballast Normal Power Factor 120V-60Hz AC UL Listed Damp Location

## Special options

Please Note: Standard Features May Change if Fixtures are Ordered with Special Option(s).

BALLAST	<input type="checkbox"/> DV 120/277 <input type="checkbox"/> EBD Dimmable <input type="checkbox"/> EMG Emergency <input type="checkbox"/> HPF High Power Factor <input type="checkbox"/> V 277 Volt	FINISH	<input type="checkbox"/> FB Black <input type="checkbox"/> FBN Brushed Nickel <input type="checkbox"/> FW White
KELVIN	<input type="checkbox"/> 3500K <input type="checkbox"/> 4100K	TECHNOLOGY	<input type="checkbox"/> GU24 ( Energy Star Compliant Component ) <input type="checkbox"/> LED
		COMPLIANCE	<input type="checkbox"/> ES Energy Star <input type="checkbox"/> MIA  Made In America

For Additional Accessories and Options Visit [www.aslighting.com](http://www.aslighting.com)

ASL  
25 Twelfth Street  
Brooklyn, NY 11215-3820

Toll Free  
Phone: 800-369-1101  
Fax: 800-552-3465

Local  
Phone: 718-369-1100  
Fax: 718-369-1105

Online  
email: [info@aslighting.com](mailto:info@aslighting.com)  
visit: [www.aslighting.com](http://www.aslighting.com)



© copyright 2008 by American Scientific Lighting Corp. All rights reserved.

**CCW**