

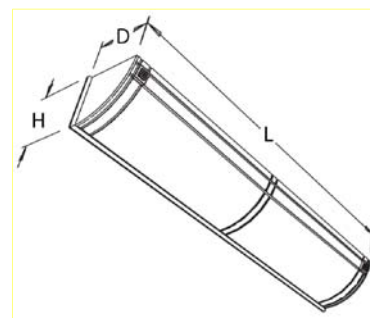


# Fixture specification

MODEL #: **CCV6**

STYLE / LAMP / LAMP / WATTAGE / KELVIN / BALLAST / FINISH / LENS / ACCESSORIES / SIZE / COMPLIANCE  
QTY TYPE DETAIL

PROJECT : \_\_\_\_\_ TYPE : \_\_\_\_\_ NOTE : \_\_\_\_\_



**FIXTURE FEATURES**

- EACH FIXTURE THERMALLY TESTED TO INSURE LONGEVITY
- MAXIMUM LIGHT DISTRIBUTION THROUGHOUT LENS
- OVER CURRENT, OVER VOLTAGE, SHORT CIRCUIT PROTECTION

**BASE:** STEEL CONSTRUCTION

MOUNTS WITH HOLES AND KNOCKOUTS PROVIDED

**FINISH:** BRUSHED NICKEL EDGE TRIM

**LENS:** SANDED CUT ETCHED WHITE ACRYLIC WITH DECORATIVE MEDALLIONS

UV STABILIZED  
NON-YELLOWING

**POWER FACTOR:** HIGH  
**INPUT VOLTAGE:** 120V:50/60Hz  
**COMPLIANCE:** CSA LISTED  
**KELVIN:** 3000  
**CRI:** 80  
**MADE IN AMERICA**  
**DAMP LOCATION**

**LED LIGHT SOURCE**

- LG / NICHIA BRAND LED CHIPS
- CONSTANT CURRENT DESIGNN AVERAGE 100 - 120LPM ( LUMEN PER WATT ) AT MODULE EFFICACY

- TRIAC OR ELECTRONIC LOW VOLTAGE DIMMING DOWN TO 5% WITH WALL BOX DIMMERS
- DRIVER: UL LISTED
- MODULE: CSA LISTED

- LM80 & LM82 TESTED
- ROHS COMPLIANT
- LIFE HOURS: 50,000
- WARRAANTY: LIMITED 5 YEARS

SYSTEM WATTAGE	LED ENGINE LUMENS				LED'S PER MODULE	LEGACY 30K SUBSTITUTE
	2700K	3000K	3500K	4000K		
13	1014	1083	1130	1165	60	T8 17 / T5 14
19	1351	1444	1506	1553	90	T8 25 / T5 21
21	1622	1508	1808	1864	120	T8 32 / T5 28
24	1824	1696	2033	2096	120	(2) T8 17 / T5 14
39	2482	2587	3120	3198	180	(2) T8 25 / T5 21
44	3300	3069	3679	3793	240	(2) T8 32 / T5 28

**SPECIAL OPTIONS**

**DRIVER**

- DV 120 / 277 (NON DIMMABLE)
- DVD 120 / 277 (0-10V DIMMABLE)
- EMG EMERGENCY
- EMGR EMERGENCY REMOTE

**SIZE**

- L25-1/2" H5" D5-3/4"
- L37-1/2" H5" D5-3/4"
- L49-1/2" H5" D5-3/4"

**KELVIN**

- 2700K
- 3500K
- 4000K
- 5000K

For Additional Accessories and Options Visit [www.aslighting.com](http://www.aslighting.com)

ASL  
25 Twelfth Street  
Brooklyn, NY 11215-3820

Toll Free  
Phone: 800-369-1101  
Fax: 800-552-3465



Local  
Phone: 718-369-1100  
Fax: 718-369-1105

Online  
email: [info@aslighting.com](mailto:info@aslighting.com)  
visit: [www.aslighting.com](http://www.aslighting.com)

© copyright 2008 by American Scientific Lighting Corp. All rights reserved.

**CCV6**