

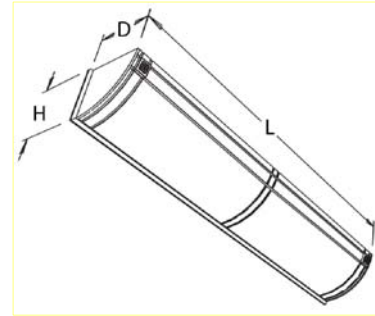


Fixture Specification

MODEL # : **CCV6**

STYLE / LAMP / LAMP / WATTAGE / KELVIN / BALLAST / FINISH / LENS / ACCESSORIES / SIZE / COMPLIANCE
QTY TYPE DETAIL

PROJECT : _____ TYPE : _____ NOTE : _____



Light Source

Type	Linear T8			Length	Height	Depth
Wattage	17	25	32	25-1/2"	5"	5-3/4"
Quantity	1/2	-	-	37-1/2"	5"	5-3/4"
	-	1/2	-	49-1/2"	5"	5-3/4"

Standard Features

BASE	C.R. Steel Construction Mounts with Holes and Knockouts Provided	FINISH	Brushed Nickel Edge Trim	LENS	Sanded Cut Etched White Acrylic with Decorative Medallions UV Stabilized Non Yellowing
LAMP	Linear - 4100K	TECHNOLOGY	Electronic Ballast Normal Power Factor 120V-60Hz AC UL Listed Damp Location		

Special options

Please Note: Standard Features May Change if Fixtures are Ordered with Special Option(s).

BALLAST	<input type="checkbox"/> DV 120/277 <input type="checkbox"/> EBD Dimmable <input type="checkbox"/> HPF High Power Factor <input type="checkbox"/> V 277 Volt	TECHNOLOGY	<input type="checkbox"/> LED	<input type="checkbox"/> MIA Made In America
		COMPLIANCE	<input type="checkbox"/> ES Energy Star	

For Additional Accessories and Options Visit www.aslighting.com

ASL
25 Twelfth Street
Brooklyn, NY 11215-3820

Toll Free
Phone: 800-369-1101
Fax: 800-552-3465

Local
Phone: 718-369-1100
Fax: 718-369-1105

Online
email: info@aslighting.com
visit: www.aslighting.com



© copyright 2008 by American Scientific Lighting Corp. All rights reserved.

CCV6