



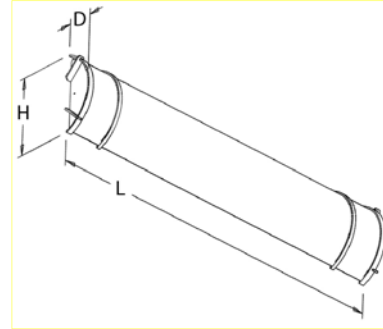
# Fixture specification

MODEL # : **CCV26**

STYLE / LAMP / LAMP / WATTAGE / KELVIN / BALLAST / FINISH / LENS / ACCESSORIES / SIZE / COMPLIANCE  
QTY TYPE QTY TYPE DETAIL



PROJECT : \_\_\_\_\_ TYPE : \_\_\_\_\_ NOTE : \_\_\_\_\_



### Light Source

Type	Linear						Length	Height	Depth
	T8			T5 HO					
Wattage	17	25	32	24	39	54	25"	7"	4"
Quantity	1/2	-	-	1/2	-	-	37"	7"	4"
	-	1/2	-	-	1/2	-	49"	7"	4"

### Standard Features

**BASE** | C.R. Steel Construction  
Mounts with Holes and Knockouts Provided

**END CAP** | Solid Bronze

**LENS** | Clear Acrylic with White Interior Insert  
UV Stabilized  
Non Yellowing

**LAMP** | Linear - 4100K

**TECHNOLOGY** | Electronic Ballast  
Normal Power Factor  
120V-60Hz AC  
UL Listed  
Damp Location

### Special options

Please Note: Standard Features May Change if Fixtures are Ordered with Special Option(s).

**BALLAST**  DV 120/277  
 EBD Dimmable  
 EMG Emergency  
 HPF High Power Factor  
 V 277 Volt

**END CAP**  010 Brushed Nickel  
 011 Brushed Brass  
 012 Black  
 118 White  
 122 Antique Silver

**KELVIN**  3500K  
 4100K

**TECHNOLOGY**  LED

**COMPLIANCE**  ES Energy Star

MIA Made In America

For Additional Accessories and Options Visit [www.aslighting.com](http://www.aslighting.com)

ASL  
25 Twelfth Street  
Brooklyn, NY 11215-3820

Toll Free  
Phone: 800-369-1101  
Fax: 800-552-3465

Local  
Phone: 718-369-1100  
Fax: 718-369-1105

Online  
email: [info@aslighting.com](mailto:info@aslighting.com)  
visit: [www.aslighting.com](http://www.aslighting.com)



© copyright 2008 by American Scientific Lighting Corp. All rights reserved.

**CCV26**