



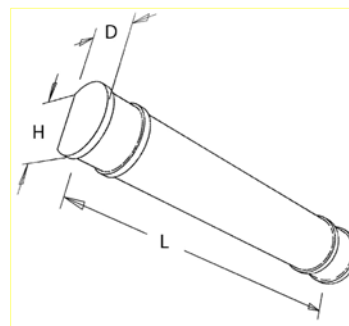
Fixture specification

MODEL # : **CCV23**

STYLE / LAMP / LAMP / WATTAGE / KELVIN / BALLAST / FINISH / LENS / ACCESSORIES / SIZE / COMPLIANCE
QTY TYPE DETAIL



PROJECT : _____ TYPE : _____ NOTE : _____



Light Source

Type	Linear						Length	Height	Depth
	T8			T5 HO					
Wattage	17	25	32	24	39	54			
Quantity	1/2	-	-	1/2	-	-	28"	5"	4"
	-	1/2	-	-	1/2	-	40"	5"	4"
	-	-	1/2	-	-	1/2	52"	5"	4"

Standard Features

BASE | C.R. Steel Construction
Mounts with Holes and Knockouts Provided

END CAP | Bronze

LENS | Clear Acrylic with White Interior Insert
UV Stabilized
Non Yellowing

LAMP | Linear - 4100K

TECHNOLOGY | Electronic Ballast
Normal Power Factor
120V-60Hz AC
UL Listed
Damp Location

Special options

Please Note: Standard Features May Change if Fixtures are Ordered with Special Option(s).

BALLAST DV 120/277
 EBD Dimmable
 EMG Emergency
 HPF High Power Factor
 V 277 Volt

END CAP 010 Brushed Nickel
 011 Brushed Brass
 012 Black
 118 White
 122 Antique Silver

KELVIN 3500K
 4100K

TECHNOLOGY LED

COMPLIANCE ES Energy Star

MIA Made In America

For Additional Accessories and Options Visit www.aslighting.com

ASL
25 Twelfth Street
Brooklyn, NY 11215-3820

Toll Free
Phone: 800-369-1101
Fax: 800-552-3465

Local
Phone: 718-369-1100
Fax: 718-369-1105

Online
email: info@aslighting.com
visit: www.aslighting.com



© copyright 2008 by American Scientific Lighting Corp. All rights reserved.

CCV23