



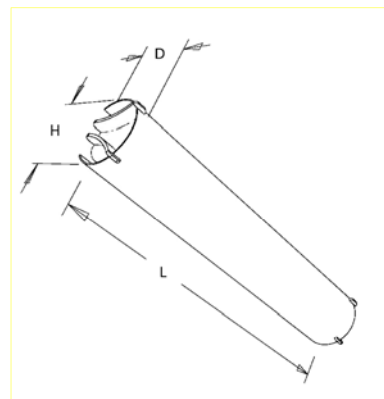
Fixture specification



MODEL # : **CCV21**

STYLE / LAMP / LAMP / WATTAGE / KELVIN / BALLAST / FINISH / LENS / ACCESSORIES / SIZE / COMPLIANCE
QTY TYPE DETAIL

PROJECT : _____ TYPE : _____ NOTE : _____



Light Source

Type	Linear						Length	Height	Depth
	T8			T5 HO					
Wattage	17	25	32	24	39	54			
Quantity	1/2	-	-	1/2	-	-	27"	4-3/4"	4"
	-	1/2	-	-	1/2	-	39"	4-3/4"	4"
	-	-	1/2	-	-	1/2	51"	4-3/4"	4"

Standard Features

BASE	C.R. Steel Construction Mounts with Holes and Knockouts Provided	END CAP	Bronze	LENS	Smooth White Acrylic UV Stabilized Non Yellowing
LAMP	Linear - 4100K	TECHNOLOGY	Electronic Ballast Normal Power Factor 120V-60Hz AC UL Listed Damp Location		

Special options

Please Note: Standard Features May Change if Fixtures are Ordered with Special Option(s).

BALLAST	<input type="checkbox"/> DV 120/277 <input type="checkbox"/> EBD Dimmable <input type="checkbox"/> EMG Emergency <input type="checkbox"/> HPF High Power Factor <input type="checkbox"/> V 277 Volt	END CAP	<input type="checkbox"/> 010 Brushed Nickel <input type="checkbox"/> 011 Brushed Brass <input type="checkbox"/> 012 Black <input type="checkbox"/> 118 White <input type="checkbox"/> 122 Antique Silver	KELVIN	<input type="checkbox"/> 3500K <input type="checkbox"/> 4100K	TECHNOLOGY	<input type="checkbox"/> LED	COMPLIANCE	<input type="checkbox"/> ES Energy Star <input type="checkbox"/> MIA Made In America
----------------	---	----------------	--	---------------	--	-------------------	------------------------------	-------------------	---

For Additional Accessories and Options Visit www.aslighting.com

ASL
25 Twelfth Street
Brooklyn, NY 11215-3820

Toll Free
Phone: 800-369-1101
Fax: 800-552-3465

Local
Phone: 718-369-1100
Fax: 718-369-1105

Online
email: info@aslighting.com
visit: www.aslighting.com



© copyright 2008 by American Scientific Lighting Corp. All rights reserved.

CCV21