

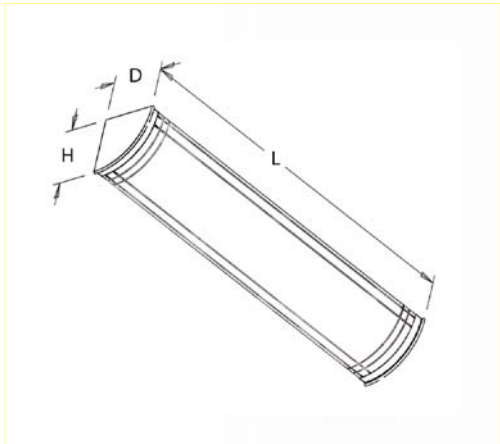


Fixture Specification



MODEL # : **CCV16**
 STYLE / LAMP / LAMP / WATTAGE / KELVIN / BALLAST / FINISH / LENS / ACCESSORIES / SIZE / COMPLIANCE
 QTY TYPE TYPE DETAIL

PROJECT : _____ TYPE : _____ NOTE : _____



Light Source

Type	Linear						Length	Height	Depth
	T8			T5 HO					
Wattage	17	25	32	24	39	54	25"	5"	4"
Quantity	1/2	-	-	1	-	-	37"	5"	4"
	-	1/2	-	-	1	-	49"	5"	4"

Standard Features

BASE	C.R. Steel Construction Mounts with Holes and Knockouts Provided	END CAP	Brushed Nickel	LENS	Cut Etched Acrylic UV Stabilized Non Yellowing
LAMP	Linear - 4100K	TECHNOLOGY	Electronic Ballast Normal Power Factor 120V-60Hz AC UL Listed Damp Location		

Special options

Please Note: Standard Features May Change if Fixtures are Ordered with Special Option(s).

BALLAST	<input type="checkbox"/> DV 120/277 <input type="checkbox"/> EBD Dimmable <input type="checkbox"/> EMG Emergency <input type="checkbox"/> HPF High Power Factor <input type="checkbox"/> V 277 Volt	TECHNOLOGY	<input type="checkbox"/> LED	COMPLIANCE	<input type="checkbox"/> ES Energy Star <input type="checkbox"/> MIA Made In America
----------------	-----------------------------------------------------------------------------------------------------------------------------------------------------------------------------------------------------------------	-------------------	------------------------------	-------------------	---------------------------------------------------------------------------------------------

For Additional Accessories and Options Visit www.aslighting.com

ASL
 25 Twelfth Street
 Brooklyn, NY 11215-3820

Toll Free
 Phone: 800-369-1101
 Fax: 800-552-3465

Local
 Phone: 718-369-1100
 Fax: 718-369-1105

Online
 email: info@aslighting.com
 visit: www.aslighting.com



© copyright 2008 by American Scientific Lighting Corp. All rights reserved.

CCV16