

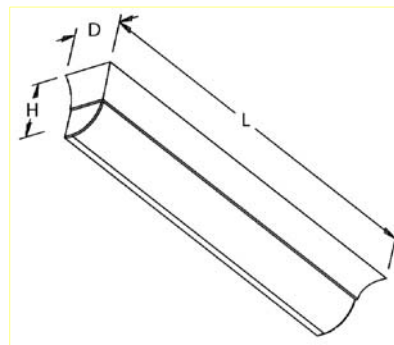


# Fixture Specification

MODEL # : **CCV13**

STYLE / LAMP / LAMP / WATTAGE / KELVIN / BALLAST / FINISH / LENS / ACCESSORIES / SIZE / COMPLIANCE  
QTY TYPE TYPE DETAIL

PROJECT : \_\_\_\_\_ TYPE : \_\_\_\_\_ NOTE : \_\_\_\_\_



### Light Source

Type	Linear						Length	Height	Depth
	T8			T5 HO					
Wattage	17	25	32	24	39	54	29-1/2"	6"	5-1/2"
Quantity	1/2	-	-	1/2	-	-	41-1/2"	6"	5-1/2"
	-	1/2	-	-	1/2	-	53-1/2"	6"	5-1/2"

### Standard Features

<b>BASE</b>	C.R. Steel Construction Mounts with Holes and Knockouts Provided	<b>FRAME</b>	Maple Top Coat Wood	<b>LENS</b>	Smooth White Acrylic UV Stabilized Non Yellowing
<b>LAMP</b>	Linear - 4100K	<b>TECHNOLOGY</b>	Electronic Ballast Normal Power Factor 120V-60Hz AC UL Listed Damp Location		

### Special options

Please Note: Standard Features May Change if Fixtures are Ordered with Special Option(s).

<b>BALLAST</b>	<input type="checkbox"/> DV 120/277 <input type="checkbox"/> EBD Dimmable <input type="checkbox"/> EMG Emergency <input type="checkbox"/> HPF High Power Factor <input type="checkbox"/> V 277 Volt	<b>FRAME</b>	<input type="checkbox"/> 003 Cherry Top Coat <input type="checkbox"/> 012 Black	<b>LENS</b>	<input type="checkbox"/> SBF Sanded
		<b>TECHNOLOGY</b>	<input type="checkbox"/> LED	<b>COMPLIANCE</b>	<input type="checkbox"/> ES Energy Star
				<input type="checkbox"/> MIA  Made In America	

For Additional Accessories and Options Visit [www.aslighting.com](http://www.aslighting.com)

ASL  
25 Twelfth Street  
Brooklyn, NY 11215-3820

Toll Free  
Phone: 800-369-1101  
Fax: 800-552-3465

Local  
Phone: 718-369-1100  
Fax: 718-369-1105

Online  
email: [info@aslighting.com](mailto:info@aslighting.com)  
visit: [www.aslighting.com](http://www.aslighting.com)



© copyright 2008 by American Scientific Lighting Corp. All rights reserved.

**CCV13**