



LED FIXTURE SPECIFICATION

MODEL # **CCL17**

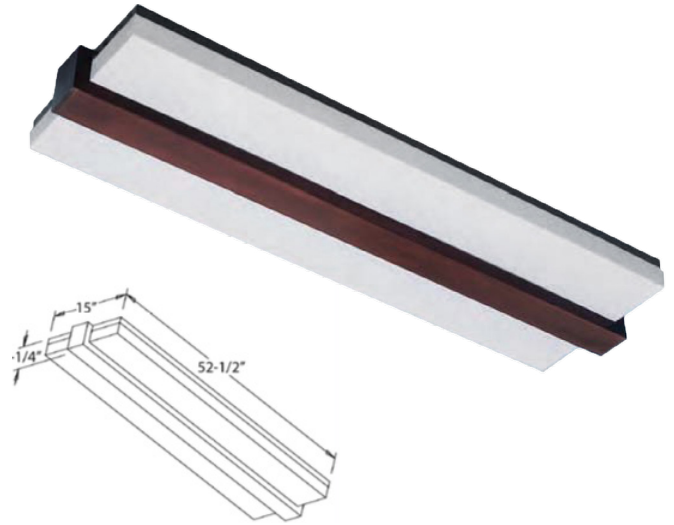


FINAL MODEL #			
PROJECT			
TYPE		AREA	
NOTES			

STANDARD FEATURES: OVER BED & VANITY / INDOOR

Fixture thermally tested to ensure longevity
 Maximum light distribution throughout lens
 Over current/voltage short circuit protection
 UL and/or CSA Compliant Listed
 Constant Current Design

FIXTURE	LED ENGINE
BASE CR Steel Construction FINISH Rectangular Cloud, Wood Center Line/Oak LENS Matte White Acrylic LOCATION Damp COMPLIANT RoHS LIFE HOURS 50,000 WARRANTY Limited 5 Years MADE IN AMERICA	LG/NICHIA/SAMSUNG, LED CHIPS LUMENS PER WATT AVG 100-120 @Module Efficacy KELVIN 27K 30K 35K 40K 50K CRI 80+ DRIVER 120 VOLTS 50/60Hz POWER FACTOR High TRIAC OR ELECTRONIC Low Voltage Dimming Down To 5% With Wall Box Dimmers TESTED LM80 and LM82



LED LIGHT SOURCE OPTIONS

ORDERING INFORMATION:

EXAMPLE

WATTAGE: 12 KELVIN: 3000k SIZE: 5x2

WATTAGE: KELVIN: SIZE:

SIZE OPTIONS
L52 ^{1/2} W15 H4 ^{1/2}

SYSTEM WATTAGE	2700K WARM WHITE	3000K SOFT WHITE	3500K NEUTRAL	4000K COOL WHITE	LEGACY 30K SUBSTITUTE
13	1314	1383	1430	1465	T8 17 / T5 14
19	1951	2044	2106	2153	T8 25 / T5 21
21	2122	2206	2306	2364	T8 32 / T5 28
24	2424	2496	2533	2596	(2) T8 17 / (2) T5 14
39	3982	4087	4120	4196	(2) T8 25 / (2) T5 21
44	4400	4469	4579	4593	(2) T8 32 / (2) T5 28

SPECIAL OPTIONS (please specify if applicable)

EXAMPLE

DRIVER: DVD FINISH: FCU LENS: LCU ACCESSORIES: FUS TECHNOLOGY: CT

DRIVER: FINISH: LENS: ACCESSORIES: TECHNOLOGY:

DRIVER	FINISH	LENS	ACCESSORIES	TECHNOLOGY
<input type="checkbox"/> DV 120/277 (Non Dimmable) <input type="checkbox"/> DVD 120/277 (0-10v Dimmable)	<input type="checkbox"/> FB Black <input type="checkbox"/> FBR Bronzestone <input type="checkbox"/> FCU Custom Any RAL Finish <input type="checkbox"/> FSN Satin Nickel <input type="checkbox"/> FW White	<input type="checkbox"/> LCU Custom	<input type="checkbox"/> CO Convenience Outlet <input type="checkbox"/> FUS Fused <input type="checkbox"/> FBF Front Baffle <input type="checkbox"/> IB Individually Boxed <input type="checkbox"/> NL Night Light <input type="checkbox"/> PCH Pull Chain <input type="checkbox"/> RS Rocker Switch/White <input type="checkbox"/> SRP Surge Protector <input type="checkbox"/> TWS Three Way Switching (Pull Chain)	<input type="checkbox"/> BLD Bi-Level Dimming <input type="checkbox"/> CT LED Color Tuning <input type="checkbox"/> EMG Emergency (Any Lumens Package) <input type="checkbox"/> EMGR Emergency Remote <input type="checkbox"/> OS Occupancy Sensor On/Off <input type="checkbox"/> OSCD Occupancy Sensor Step Dimming

